



RTI Control System



CPB-1 Control Port Connecting Block

The CPB-1 Control Port Connecting Block provides a cost effective solution for one-room installations such as classrooms or boardrooms, that require an in-wall controller and both infrared and RS-232 control of local devices. The CPB-1 is the perfect accessory to any RTI in-wall controller to offer an advanced level of control over many of today's electronic devices without the additional cost of an RTI control processor.

The CPB-1 provides power to one RTI in-wall system controller and has two output ports that allow the connection of up to two single or dual infrared emitters. It also incorporates an RS-232 port for advanced serial control of devices without the need of an RTI processor. The CPB-1 also includes a RJ-45 to DB-9 adapter, allowing simple connection to almost any serial control device. Incorporating a durable steel enclosure, the CPB-1 is the ideal solution for taking any RTI in-wall controller to the next level of control capabilities.

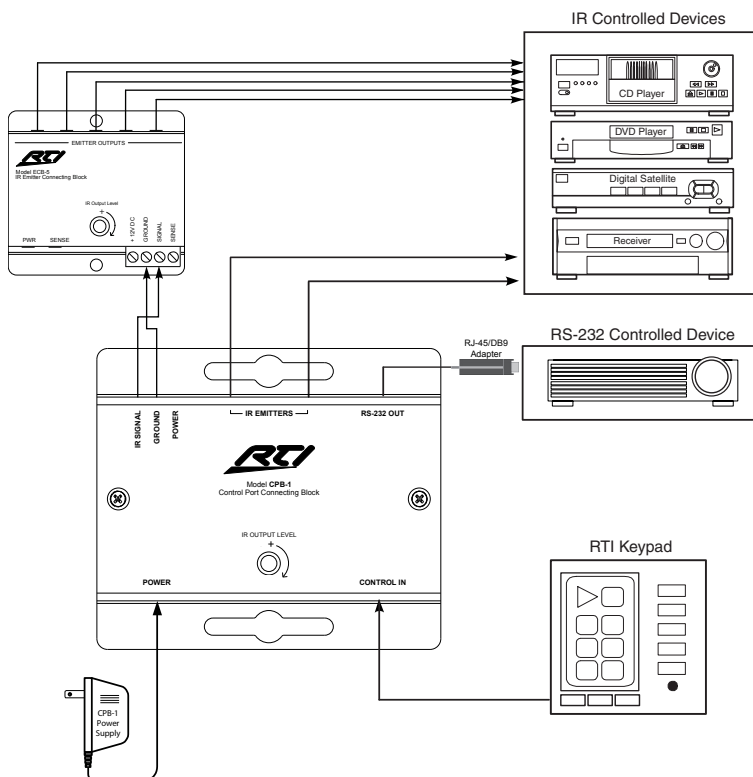
Key Features

- Provides power for one compatible RTI user interface.
- Two infrared emitter outputs.
- Variable IR output power.
- Allows RTI in-wall controllers to communicate via one-way RS232 to devices without a processor.
- Steel construction.
- 12VDC power supply included.

Specifications

Power Supply	+12VDC, 1.0A
Number of IR Output Ports	Two
Output Ports	3.5mm jacks
.....	Works with industry-standard IR emitters.
IR Output Drive	100mA maximum (per port, adjustable)
Infrared Input	Compatible with industry-standard repeaters and receivers
RS-232 Port	RJ45 Connection
.....	Includes RJ45 to DB9 adapter
Mounting	Wall-mount or free standing
Dimensions (W x H x D)	4.0" (102mm) x .3.5" (89mm) x 1.1" (28mm)
Weight	8.4 oz. (238g)
Warranty	Three Year (Parts & Labor)

Installation Diagram



RTI User Interfaces

- | | |
|-----------------------|----------------------|
| Remote Controls | In-Wall Touchpanels |
| Keypads | Tabletop Touchpanels |
| Audio Control Keypads | Mobile Apps |



RTI Control Accessories

- | | |
|--------------------|----------------|
| Control Processors | IR Modules |
| System Kits | Relay Modules |
| RS-232 Modules | Z-Wave Modules |



RTI Audio/Video Distribution

- | | |
|---------------------------|----------------------------|
| HDMI Splitters & Switches | HDBaseT Extenders |
| HDMI Matrix Switches | Presentation Switches |
| HDBaseT Matrix Switches | Video over IP Transceivers |



5775 12th Avenue East, Suite 180, Shakopee, MN 55379
 PH: (952) 253-3100 • Website: www.rticorp.com

RTI
 It's Under Control®